



# SPARK 900W

Spark Machine  
Máquina de chispas

## INDEX / ÍNDICE

## ENGLISH

WELCOME TO AUDIBAX.....	1
SAFETY INSTRUCTIONS.....	1
IMPORTANT INFORMATION.....	2
PACKAGE CONTENT.....	3
PRODUCT PARAMETERS.....	3
DMX OPERATION.....	4
OPERATION PANEL.....	4
DMX512 SIGNAL CONTROL.....	5
UNIT ERROR MESSAGE CODES.....	5
CONSUMABLES CONSIDERATIONS.....	6
CLEAN MATERIAL.....	6
WARNING AND SAFETY MATTERS.....	6
DISPOSAL.....	8

## ESPAÑOL

BIENVENIDOS A AUDIBAX.....	9
INSTRUCCIONES DE SEGURIDAD.....	9
INFORMACIÓN IMPORTANTE.....	10
CONTENIDO DEL PAQUETE.....	11
PARÁMETROS DEL PRODUCTO.....	11
FUNCIONAMIENTO DMX.....	12
PANEL DE OPERACIÓN.....	12
CONTROL DE SEÑAL DMX512.....	13
CÓDIGOS DE MENSAJE DE ERROR DE LA UNIDAD.....	13
CONSIDERACIONES SOBRE CONSUMIBLES.....	14
LIMPIEZA DE LA UNIDAD.....	14
ADVERTENCIAS Y CUESTIONES DE SEGURIDAD.....	14
RECICLAJE.....	16

## DMX

DMX.....	17
----------	----

## WELCOME TO AUDIBAX

Thank you very much for choosing Audibax. We hope you enjoy your new product.

It has been developed and designed paying attention to the smallest details, with quality control with European standards supervised by our great team of professional technicians, who work every day to offer our customers the best quality.

We make sure that every Audibax product is built to last long. All our references are made with long lasting materials and our specialists are dedicated to constantly doing quality controls to guarantee the best result.

Please read carefully this manual in order to use your Audibax product in the best way. Do not hesitate to visit our website for further information: [www.audibax.com](http://www.audibax.com)

## SAFETY INSTRUCTIONS

### GENERAL INFORMATION

- It is important to read and follow the instructions carefully.
- Keep all information and instructions in a secure location.
- Always follow the instructions provided.
- Take note of all safety warnings and never remove them from the equipment.
- Use the equipment only as intended and for its intended purpose.
- Ensure that the stands and/or mounts used are sufficiently stable and compatible for fixed installations. Wall mounts should be properly installed and secured, and the equipment should be installed securely to prevent falls.
- When installing the equipment, be sure to observe the relevant safety regulations in your country.
- Do not install or operate the equipment near sources of heat, such as radiators, heat registers, or ovens, and ensure that it is always cooled sufficiently and cannot overheat.
- Do not place sources of ignition, such as burning candles, on the equipment.
- Keep ventilation slits unobstructed.
- For equipment designed for indoor use only should not be used near water, flammable materials, fluids, or gases. Special outdoor equipment should be used in accordance with the manufacturer's instructions.
- Ensure that no dripping or splashed water can enter the equipment and do not place containers filled with liquids on the equipment.
- Prevent objects from falling into the equipment.
- Use the equipment only with recommended accessories intended by the manufacturer.
- Do not attempt to open or modify the equipment.
- Check all cables after connecting the equipment to prevent accidents or damage due to tripping hazards.
- During transport, take steps to prevent the equipment from falling and causing damage or injury.
- If the equipment is not functioning properly, fluids or objects have gotten inside, or is otherwise damaged, switch it off immediately and unplug it from the power outlet (if applicable). Only authorized, qualified personnel should repair the equipment.
- Clean the equipment with a dry cloth.
- Comply with all applicable disposal laws and separate plastic and paper/cardboard during packaging disposal.
- Keep plastic bags out of the reach of children.

**FOR DEVICES DESIGNED TO BE CONNECTED TO THE MAIN POWER SUPPLY:**

- **ATTENTION:** If your equipment has a power cord with a grounding plug, it must be connected to a wall outlet with a ground connection. Never remove the grounding plug from the power cord.
  - If your equipment has been exposed to extreme temperature changes, allow it to reach room temperature before turning it on. Otherwise, moisture and condensation may damage the equipment.
  - Before plugging in the equipment, make sure that the voltage and frequency of the power outlet match the specifications of the equipment. If the equipment has a voltage selector, only connect it to the power outlet if the values match. If the power cord or adapter does not fit your outlet, contact an electrician.
  - Do not step on the power cord. Make sure it is not pinched at the outlet, adapter, or equipment connection.
  - Keep the power cord or adapter within reach and disconnect the equipment from the power supply when not in use or when cleaning it. Always unplug the cord or adapter by pulling the plug or adapter, not the cord. Never touch the cord or adapter with wet hands.
  - Avoid frequently turning the equipment on and off, as this can reduce its useful life.
  - **IMPORTANT:** Only replace fuses with those of the same type and rating. If a fuse repeatedly blows, contact an authorized service center.
  - To completely disconnect the equipment from the power mains, unplug the power cord or adapter from the outlet.
  - If your device has a Volex power connector, the mating Volex connector must be unlocked before it can be removed. Be careful when laying cables, as the equipment can slide or fall if the power cord is pulled.
  - Unplug the power cord or adapter before an extended period of disuse or in case of lightning strike risk.
  - Only install the equipment when it is disconnected from the power source.
  - To prevent damage and overheating, qualified personnel should regularly clean and service the equipment depending on ambient conditions like dust, nicotine, and fog.
- If the product contains the following symbols, please, read carefully:



**CAUTION:** To reduce the risk of electric shock, do not remove cover (or back). There are no user serviceable parts inside. Maintenance and repairs should be exclusively carried out by qualified service personnel.



The warning triangle with lightning symbol indicates dangerous uninsulated voltage inside the unit, which may cause an electrical shock.



The warning triangle with exclamation mark indicates important operating and maintenance instructions.

**IMPORTANT INFORMATION****WARNING! IMPORTANT INFORMATION REGARDING LIGHTING PRODUCTS**

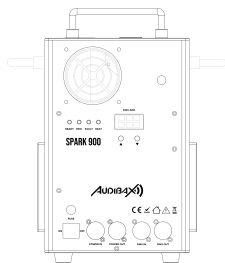
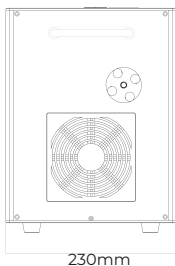
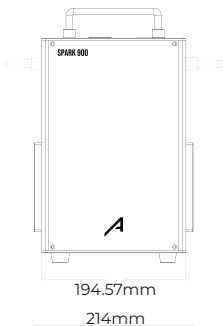
1. This product is specifically designed for use in event technology and is not intended to be used as household lighting.
2. It is important to avoid looking directly at the light beam, even for a short period of time.
3. Optical instruments, such as magnifiers, should not be used to look directly at the beam.
4. If you are sensitive to strobe effects, it is possible that they could cause an epileptic seizure. If you have epilepsy, it is important to avoid places where strobe lights are being used.

## PACKAGE CONTENT

- 1 x Spark 900W
- 1 x Power cord
- 1 x User's manual

## PRODUCT PARAMETERS

- Working Height: 1-6M
- Working Temperature: -10°C - 50°C
- Heating Power: 900w 6A (110V Version), 900w 3A (220V Version)
- Fuse: AC220-240V, 50/60Hz
- Interface: Double DMX input, Double AC power
- N.W.: 7.7kg
- Machine Dimension: 235x210x305mm
- Packing Dimension: 305x305x380mm
- Max. connections: Max. 6PCS



## DMX OPERATION

- 1) International standard control signal: DMX 512
- 2) The device uses two channels (channel 1: control preheat and emergency stop channel2: control spray height)
- 3) Spray height adjustable
- 4) Overheating can be intelligently protected
- 5) The digital display of the SPARK MACHINE shows that F1-F5 corresponds to the 1-5-position spray height gear position respectively
- 6) When the green Ready light is flashing, the unit is waiting to finish the heating cycle, when the cycle ends the solid green light indicates that it is ready to operate.

## OPERATION PANEL



**READY:** green light, flashing, indicates that the machine is starting up, steady green light indicates that the machine is ready to operate.

**DMX:** blue light flashing, indicates presence of DMX signal in the unit. Absence of blue light, there is no DMX signal in the unit.

**FAULT:** yellow light, is on when there is an error

**HEAT:** PREHEAT INDICATOR, Red light on, the unit is performing the heating cycle

$\Delta \nabla$  : increase or decrease the DMX values (channels) for the unit to be controlled, values from 1 to 512.

### Remote control function:



1: Short press the red button, the unit screen will display "FFF", it indicates that the remote controller has been paired with the unit. Long press the red button, when the unit screen displays "OFF", it indicates that the remote controller has been unpaired.

2: "ON"button : start pre-heat, "OFF"button: turn off pre-heat

3: "1/2/3"button: working height, "1"=F1; "2"=F3; "3"=F5

4: "E-stop"button: emergency stop

5: "Clear Powder" button: Press this button to start the unit cleaning cycle. Press "OFF" to stop the cleaning cycle.

6: Power off: Press the red button for 3 seconds.

Note: If you need to control 2 or more units with the same remote control: connect the power cable to the units to be controlled, press the power button on the unit, press the red button on the remote control for a few seconds, the display(s) of the units will indicate "fff" confirming the linking of the remote control with the activated units, if you want to control more units with another remote control (group b) turn off the previously linked units, turn on the units you want to link to the remote control (b) press the red button on the remote (b) for 3 or more seconds, the units will indicate "fff" on their display, now you can govern 2 groups of units with 2 independent remote controls.

## DMX512 SIGNAL CONTROL

To use the units by DMX control, always use cables indicated for this purpose, with 3-pin XLR connectors.

When the DMX console is successfully connected to the machine, the DMX signal light (blue) on the machine flashes; the first channel (240-255) pre-heat function can be turned on, the HEAT light (red) lights up, and the temperature Rise will be displayed on the machine screen; when the heating is completed, the screen will display the DMX channel, and the READY lamp (green) will change from blinking to steady state, indicating that the spray is ready, and the spray height can be controlled through the second channel.

## UNIT ERROR MESSAGE CODES

Display content	Fault causes	Solution
E01	Failure in preheating phase	1: Check whether the heat dissipation of the unit is normal. 2: Return the unit for inspection by specialized technicians.
E02	Heating plate not controlled	1: Return the unit for inspection by specialized technicians.
E03	Heating plate not controlled	1: Check that the cooling fan is not blocked or not moving 2: Stop the unit and the projection, turn off the unit for at least 10 minutes from the power, reconnect the unit, if the problem persists, return the unit for review by specialized technicians
E04	Fan failure	1: Check if there is any foreign material falling into the spray port 2: Perform cleaning of the consumable charging circuit
E05	Temperature sensor failure	1: Clean the consumable charging circuit 2: If the problem persists, send the unit for review by specialized technicians

Note: When the fault light is active, perform the steps indicated in modes e01, e03, e04 and e05, in the event that the unit indicates fault again after performing the procedure, send the unit for review by specialized technicians, "do not open the unit, do not try to repair it by yourself"

## CONSUMABLES CONSIDERATIONS

- 1) If the consumable is ignited by an extreme heat source, do not try to extinguish it with water, use an approved class "d" extinguisher and, failing that, cover it with dry sand to prevent it from spreading.
- 2) Consumables should be kept in a dry and sealed environment to prevent moisture.
- 3) The consumables are classified as:  
 Small consumables: the spray height is 1.0-3.0 m (error 0.5 m), and the spattering point is not lost.  
 Medium Consumables: The spray height is 2-4 meters (0.5 m error), and the spot is rarely dropped.  
 Large consumables: The spray height is 2-5 meters (0.5 m error), and the sprayed spot has dropped ground.
- 4) If you notice that the projection is not constant throughout the cycle, this may be due to dirt in the circuit or lack of consumable.  
 Never mix different fuels in the same unit, make sure to empty the old consumable into the circuit before adding the new one.

## CLEAN MATERIAL

- 1) After use, please turn the SPARK MACHINE upside down to empty the remaining material into the loading hopper, and store it in a dry and sealed container.
- 2) After emptying the remaining material, please heat it again and activate the cleaning mode until no spark comes out, to clean the remaining material from the machine. (Note: Problems caused by improper cleaning will not be covered by the free warranty)

## WARNING AND SAFETY MATTERS

- 1) Do not spray for more than 30 seconds at a time. If the continuous projection time is too long, the internal temperature will rise sharply and cause permanent damage. After a single prolonged projection, you must wait a few minutes for the next projection, in order to avoid overheating.
- 2) When the unit is in a projection cycle of more than 30 seconds, it will automatically stop for safety, space out the times between prolonged projections to avoid overheating the unit. If it is necessary to continue, the spray function can be activated again.
- 3) The unit has a power input and output to unify up to 6 units in a chain, make sure of the consumption of the same and that the section and voltage of the connected cable allows it, an overload within the power circuit due to excessive consumption, can cause damage to the unit.



- 4) If the unit does not produce sparks, it may be due to several factors.
- Insufficient consumable in the tank, fill the tank to the indicated limit
  - Obstruction due to excess material, the hopper loading gear is blocked by remains of wet or compacted consumable, turn off the unit to avoid burns, you must free the gear from consumable remains, to operate again.  
If the remains are stuck, you must open the housing and manually turn the chain counterclockwise.
- 5) When you finish spraying, do not immediately turn off the machine. The heating should be turned off and the heat dissipation fan should blow out the hot air inside the machine when the machine is turned on. Otherwise, the internal heat is quickly transmitted to the surface of the shell.
- 6) Operate the unit at a distance of 3 to 5 meters.
- 7) Make sure the device is turned off before powering it.
- 8) If the consumable should ignite due to an extreme heat source, do not try to smother it with water, use an approved class "d" type extinguisher and, failing that, cover it with dry sand to prevent the spread.
- 9) Store the consumables in a cool, dry and sealed environment.
- 10) Damage caused by misuse of the unit, or by failure to follow the maintenance instructions, is not covered by the warranty.

## Safety



Warning and precautions

This sign is to alert the user to the hazard and to provide important information for the user to operate the SPARK MACHINE safely and effectively.

A security statement is as following:

Warning: This warning alerts you to hazardous or potentially hazardous operations and has given a description of the hazard and neglected the consequences.



**Eye Protection**

This sign is to alert the user to the hazard and to provide important information for the user to operate the SPARK MACHINE safely and effectively.

A security statement is as following:

Warning: This warning alerts you to hazardous or potentially hazardous operations and has given a description of the hazard and neglected the consequences.



## Injury Voltages

Warning: if the device and controller has dangerous voltage when it working, there is a risk of electric shock.

Do not open or remove (adjust) any part of the device or controller, this may only be done by specialized personnel.



## Moisture proof warning

Warning: The operator should keep the SPARK MACHINE and controller in dry environment, do not use it in rain and snow.

## DISPOSAL

### Packaging:



1. The packaging can be recycled using standard disposal methods and reintroduced into the reusable material cycle.
2. Please follow the laws and regulations regarding disposal and recycling of packaging in your country.

### Device:



1. This device is subject to the Waste Electrical and Electronic Equipment (WEEE) Directive of the European Union. Used appliances should not be disposed of with household waste. Used device must be disposed of through an approved disposal company or a municipal disposal facility. Please comply with the applicable regulations in your country.

2. Please follow all the disposal laws and regulations in your country.

3. As a customer, you can obtain information on environmentally-friendly disposal options from the product seller or the appropriate regional authorities.

## BIENVENIDO A AUDIBAX

Muchas gracias por elegir Audibax. Esperamos que disfrute de su nuevo producto. Ha sido desarrollado y diseñado cuidando hasta el más mínimo detalle, con un control de calidad con estándares europeos supervisado por nuestro gran equipo de técnicos profesionales, que trabajan día a día para ofrecer a nuestros clientes la mejor calidad.

Nos aseguramos de que cada producto Audibax esté diseñado para durar mucho tiempo. Todas nuestras referencias están fabricadas con materiales de larga duración y nuestros especialistas se dedican a realizar constantemente controles de calidad para garantizar el mejor resultado.

Lea atentamente este manual para utilizar su producto Audibax de la mejor manera. No dudes en visitar nuestra web para más información: [www.audibax.com](http://www.audibax.com)

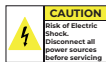
## INSTRUCCIONES DE SEGURIDAD

### INFORMACIÓN GENERAL

- Es importante leer y seguir las instrucciones cuidadosamente.
- Guarde toda la información y las instrucciones en un lugar seguro.
- Siga siempre las instrucciones proporcionadas.
- Tome nota de todas las advertencias de seguridad y nunca las quite del equipo.
- Utilice el equipo únicamente según lo previsto y para el fin previsto.
- Asegúrese de que los soportes y/o soportes utilizados sean lo suficientemente estables y compatibles para instalaciones fijas. Los soportes de pared deben asegurarse correctamente, y el equipo debe instalarse de forma segura para evitar caídas.
- Al instalar el equipo, asegúrese de observar las normas de seguridad pertinentes de su país.
- No instale ni utilice el equipo cerca de fuentes de calor, como radiadores, rejillas de calor u hornos, y asegúrese de que siempre se enfríe lo suficiente y no se sobrecaliente.
- No coloque fuentes de ignición, como velas encendidas, sobre el equipo.
- Mantenga las ranuras de ventilación despejadas.
- Equipos diseñados solo para uso en interiores y no debe usarse cerca de agua, materiales inflamables, líquidos o gases. Se debe usar para exteriores de acuerdo con las instrucciones del fabricante.
- Asegúrese de que no entren gotas o salpicaduras de agua en el equipo y no coloque recipientes llenos de líquidos sobre el equipo.
- Evite que caigan objetos dentro del equipo.
- Utilice el equipo únicamente con los accesorios recomendados por el fabricante.
- No intente abrir o modificar el equipo.
- Verifique todos los cables después de conectar el equipo para evitar accidentes o daños debido a riesgos de tropiezos.
- Durante el transporte, tome medidas para evitar que el equipo se caiga y cause daños o lesiones.
- Si el equipo no funciona correctamente, se han metido líquidos u objetos en su interior o está dañado, apáguelo inmediatamente y desenchúfelo de la toma de corriente (si corresponde). Solo personal autorizado y cualificado debe reparar el equipo.
- Limpie el equipo con un paño seco.
- Cumpla con todas las leyes de eliminación aplicables y separe el plástico y el papel/cartón durante la eliminación del embalaje.
- Mantenga las bolsas de plástico fuera del alcance de los niños

## PARA DISPOSITIVOS DISEÑADOS PARA SER CONECTADOS A LA FUENTE DE ALIMENTACIÓN PRINCIPAL:

- ATENCIÓN: Si su equipo tiene un cable de alimentación con un enchufe con conexión a tierra, debe conectarse a un tomacorriente de pared con conexión a tierra. Nunca retire el enchufe de conexión a tierra del cable de alimentación.
  - Si su equipo ha estado expuesto a cambios extremos de temperatura, permita que alcance la temperatura ambiente antes de encenderlo. De lo contrario, la humedad y la condensación pueden dañar el equipo.
  - Antes de enchufar el equipo, asegúrese de que el voltaje y la frecuencia del tomacorriente coincidan con las especificaciones del equipo. Si el equipo dispone de selector de tensión, sólo conéctelo a la toma de corriente si los valores coinciden. Si el cable de alimentación o el adaptador no se ajustan a su toma de corriente, comuníquese con un electricista.
  - No pise el cable de alimentación. Asegúrese de que no esté pellizcado en la toma de corriente, el adaptador o la conexión del equipo.
  - Mantenga el cable de alimentación o el adaptador al alcance de la mano y desconecte el equipo de la fuente de alimentación cuando no esté en uso o cuando lo esté limpiando. Desenchufe siempre el cable o el adaptador tirando del enchufe o del adaptador, no del cable. Nunca toque el cable o el adaptador con las manos mojadas.
  - Evite encender y apagar el equipo con frecuencia, ya que esto puede reducir su vida útil.
  - IMPORTANTE: Solo reemplace los fusibles con aquellos del mismo tipo y clasificación. Si un fusible se quema repetidamente, comuníquese con un centro de servicio autorizado.
  - Para desconectar completamente el equipo de la red eléctrica, desenchufe el cable de alimentación o el adaptador de la toma de corriente.
  - Si su dispositivo tiene un conector de alimentación Volex, el conector Volex correspondiente debe desbloquearse antes de poder retirarlo. Tenga cuidado al tender los cables, ya que el equipo puede deslizarse o caerse si se tira del cable de alimentación.
  - Desenchufe el cable de alimentación o el adaptador antes de un período prolongado de desuso o en caso de riesgo de caída de rayos.
  - Instale el equipo únicamente cuando esté desconectado de la fuente de alimentación.
  - Para evitar daños y sobrecalentamiento, el personal calificado debe limpiar y reparar el equipo con regularidad según las condiciones ambientales, como polvo, nicotina y niebla.
- Si el producto contiene los siguientes símbolos, lea atentamente:



**CAUTION**  
Risk of Electric Shock.  
Disconnect all power sources before servicing.

PRECAUCIÓN: Para reducir el riesgo de descarga eléctrica, no retire la tapa (o la parte trasera). No hay partes reparables por el usuario adentro. El mantenimiento y las reparaciones deben ser realizados exclusivamente por personal de servicio cualificado.



El triángulo de advertencia con el símbolo de un rayo indica un voltaje no aislado peligroso dentro de la unidad, que puede causar una descarga eléctrica.



El triángulo de advertencia con signo de exclamación indica instrucciones importantes de operación y mantenimiento.

## INFORMACIÓN IMPORTANTE

¡ADVERTENCIA! INFORMACIÓN IMPORTANTE SOBRE PRODUCTOS DE ILUMINACIÓN

1. Este producto está diseñado específicamente para su uso en tecnología de eventos y no está diseñado para usarse como iluminación doméstica.
2. Es importante evitar mirar directamente al haz de luz, incluso durante un breve período de tiempo.
3. No se deben utilizar instrumentos ópticos, como lupas, para mirar directamente al haz.

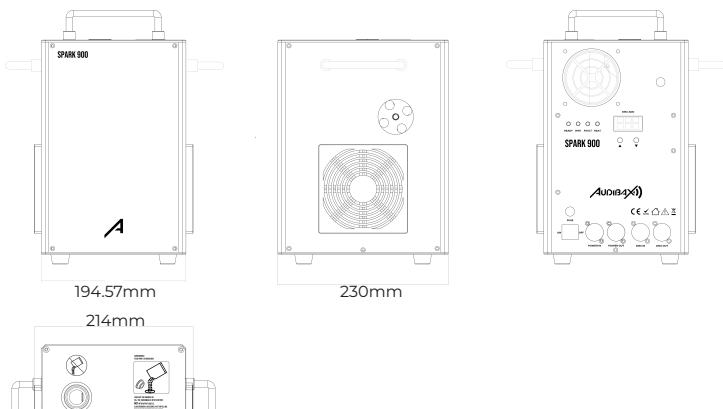
4. Si es sensible a los efectos estroboscópicos, es posible que le provoquen un ataque epiléptico. Si tiene epilepsia, es importante evitar los lugares donde se usan luces estroboscópicas.

## CONTENIDO DEL PAQUETE

- 1 x Spark 900W
- 1 x Cable de alimentación
- 1 x Manual de usuario

## PARÁMETROS DEL PRODUCTO

- Altura de trabajo: 1-6 m
- Temperatura de trabajo: -10 °C - 50 °C
- Potencia de calentamiento: 900 W 6 A (versión de 110 V), 900 W 3 A (versión de 220 V)
- Fusible: CA 220-240 V, 50/60 Hz
- Interfaz: doble entrada DMX, doble alimentación de CA
- Peso neto: 7,7 kg
- Dimensiones de la máquina: 235 x 210 x 305 mm
- Dimensiones del embalaje: 305 x 305 x 380 mm
- Máx. conexiones: máx. 6 piezas



## FUNCIONAMIENTO DMX

- 1) Señal de control estándar internacional: DMX 512
- 2) El dispositivo utiliza dos canales (canal 1: control de precalentamiento y parada de emergencia canal 2: control de altura de pulverización)
- 3) Altura de pulverización ajustable
- 4) Se puede proteger de forma inteligente contra el sobrecalentamiento
- 5) La pantalla digital de SPARK MACHINE muestra que F1-F5 corresponde a la posición del engranaje de altura de pulverización de la posición 1 a la 5 respectivamente
- 6) Cuando la luz verde Ready está intermitente, la unidad está a la espera de terminar el ciclo de calentamiento, cuando el ciclo termina la luz verde Fija indica que esta lista para operar

## PANEL DE OPERACIÓN



**READY:** luz verde, intermitente, indica que la máquina está iniciándose, luz verde fija indica que la máquina está lista para funcionar.

**DMX:** luz azul intermitente, indica presencia de señal DMX en la unidad. Ausencia de luz azul, no hay presencia de señal DMX en la unidad.

**FAULT:** luz amarilla, está encendida cuando hay un error

**HEAT:** INDICADOR DE PRE-CALENTAMIENTO, LUZ Roja fija, la unidad está realizando el ciclo de calentamiento

△ ▽ : aumentar o reducir los valores (canales) de DMX para que la unidad sea controlada, valores de 1 a 512.

### Función de control remoto:



1: Presione brevemente el botón rojo, la pantalla de unidad indicará "FFF", indicará que el mando remoto se ha vinculado a la unidad. Presione prolongadamente el botón rojo, cuando la pantalla de la unidad muestre "OFF", indicará que el mando remoto se ha desvinculado.

2: Botón "ON": inicia el precalentamiento, botón "OFF": apaga el precalentamiento

3: Botón "1/2/3": altura de trabajo, "1"=F1; "2"=F3; "3"=F5

4: Botón "E-stop": parada de emergencia

5: Botón "Clear Powder": pulse este botón para iniciar el ciclo de limpieza de la unidad. Pulse "OFF" para detener el ciclo de limpieza.

6: Apagado: presione el botón rojo durante 3 segundos.

Nota: si precisa controlar 2 o más unidades con un mismo control remoto: conecte el cable de alimentación a las unidades a controlar, pulse el botón de encendido de la unidad, pulse el botón rojo del mando remoto durante unos segundos, la/s pantalla/s de las unidades indicarán "fff" confirmando la vinculación del mando remoto con las unidades activadas, si deseara controlar más unidades con otro mando (grupo b) apague las unidades anteriormente vinculadas, encienda las unidades que desee vincular al mando remoto (b) pulse el botón rojo del mando (b) durante 3 o más segundos, las unidades indicarán "fff" en su pantalla, ahora puede gobernar 2 grupos de unidades con 2 mandos independientes.

## CONTROL DE SEÑAL DMX512

Para utilizar las unidades por control dmx, utilice siempre cables indicados para ello, con conectores xlr de 3 pines.

Cuando la consola DMX se conecta correctamente a la máquina, la luz de señal DMX (azul) de la máquina parpadea; se puede activar la función de precalentamiento del primer canal (240-255), la luz HEAT (roja) se enciende y el aumento de temperatura se mostrará en la pantalla de la máquina; cuando se complete el calentamiento, la pantalla mostrará el canal DMX y la lámpara READY (verde) cambiará de parpadear a estado fijo, lo que indica que la pulverización está lista y la altura de la pulverización se puede controlar a través del segundo canal.

## CÓDIGOS DE MENSAJE DE ERROR DE LA UNIDAD

Contenido en Pantalla	Causas de fallas	Solución
E01	Fallo en fase de precalentamiento	1: Verifique si la disipación de calor de la unidad es normal. 2: Retorne la unidad para verificación por parte de técnicos especializados.
E02	Placa de calentamiento sin control	1: Retorne la unidad para verificación por parte de técnicos especializados.
E03	Placa de calentamiento sin control	1: Verifique que el ventilador de enfriamiento, no está obturado o sin movimiento 2: Detenga la unidad, y la proyección, apague la unidad al menos 10 minutos de la corriente, vuelva a conectar la unidad, si el problema persiste, retorne la unidad para revisión por técnicos especializados
E04	Fallo de ventilador	1: Verifique si hay algún material extraño cayendo en el puerto de rociado 2: Realice una limpieza del circuito de carga de consumible
E05	Fallo en sensor de temperatura	1: Realice una limpieza del circuito de carga de consumible 2: Si el problema persiste, envíe la unidad para revisión por técnicos especializados

Nota: Cuando la luz de fallo (fault) esta activa, realice los pasos indicados en los modos e01, e03, e04 y e05, en el caso de que la unidad vuelva a indicar fallo una vez realizado el procedimiento, envíe la unidad para revisión por técnicos especializados, "no abra la unidad, no intente repararla por sus medios"

## CONSIDERACIONES SOBRE CONSUMIBLES

- 1) Si el consumible entrara en ignición por una fuente de calor extrema, no intente sofocarlo con agua, utilice un extintor homologado tipo clase "d" y en su defecto cúbralo con arena seca, para evitar la propagación.
- 2) Los consumibles deben mantenerse en un ambiente seco y sellado para evitar la humedad.
- 3) Los consumibles se clasifican en:  
Consumibles pequeños: la altura de pulverización es de 1,0 a 3,0 m (error de 0,5 m) y el punto de salpicadura no se pierde.  
Consumibles medianos: la altura de pulverización es de 2 a 4 metros (error de 0,5 m) y el punto de salpicadura rara vez se cae.  
Consumibles grandes: la altura de pulverización es de 2 a 5 metros (error de 0,5 m) y el punto de pulverización ha caído al suelo.
- 4) Si detecta que la proyección no es constante en el ciclo, puede deberse a suciedad en el circuito, falta de consumible.  
Nunca mezcle distintos combustibles en una misma unidad, cerciórese de vaciar el consumible anterior dentro del circuito antes de añadir el nuevo.

## LIMPIEZA DE LA UNIDAD

- 1) Después de usarla, coloque la SPARK MACHINE boca abajo para vaciar el material restante en la tolva de carga, y guárdela en un recipiente seco y sellado.
- 2) Después de vaciar el material restante, caliéntela nuevamente y active el modo limpieza hasta que no salga ninguna chispa, para limpiar el material restante de la máquina. (Nota: los problemas causados por una limpieza inadecuada no estarán cubiertos por la garantía gratuita)

## ADVERTENCIAS Y CUESTIONES DE SEGURIDAD

- 1) No rocíe más de 30 segundos cada vez. Si el tiempo de proyección continuo es demasiado largo, la temperatura interna aumentará bruscamente y causará daños permanentes. Después de una sola proyección prolongada, Debe de esperar unos minutos para la siguiente proyección, a fin de evitar exceso de calentamiento.
- 2) Cuando la Unidad se encuentre en un ciclo de proyección de más de 30 segundos, se detendrá automáticamente por seguridad, espacie los tiempos entre proyecciones prolongadas para evitar exceso de temperatura en la unidad. Si es necesario continuar, la función de rociado se puede activar nuevamente.
- 3) La unidad posee entrada y salida de alimentación para unificar hasta 6 unidades en cadena, cerciórese del consumo de las mismas y que la sección y tensión del cable conectado lo permite, una sobre carga dentro del circuito de alimentación por exceso de consumo, puede provocar daños en la unidad.



4) Si la unidad no proyectara chispas, puede deberse a varios factores.

- Insuficiencia de consumible en la cuba , rellene la cuba hasta el limite indicado
- Obstrucion por exceso de material , el engranje de carga de la tolva esta bloqueado por restos de consumible humedo, o compactado, apague la unidad para evitar quemaduras, ha de liberar el engranje de restos de consumible, para volver a operar.

Si los restos están atascados, debe abrir la carcasa y girar manualmente la cadena en sentido contrario a las agujas del reloj.

5) Cuando termine de proyectar, no apague inmediatamente la máquina. La calefacción debe apagarse y el ventilador disipador de calor debe sacar el aire caliente del interior de la máquina cuando se enciende la máquina. De lo contrario, el calor interno se transmite rápidamente a la superficie de la carcasa.

6) Opere la unidad a una distancia de 3 a 5 metros.

7) Asegúrese de que el dispositivo esté apagado antes de alimentarlo.

8) Si el consumible entrara en ignición por una fuente de calor extrema, no intente sofocarlo con agua, utilice un extintor homologado tipo clase "d" y en su defecto cúbralo con arena seca, para evitar la propagación.

9) Guarde los consumibles en un entorno fresco, seco y sellado.

10) Los daños causados por un mal uso de la unidad, o por no respetar las instrucciones de mantenimiento , no están cubiertos por la garantía.

## Seguridad



Advertencias y precauciones

Este letrero sirve para alertar al usuario sobre el peligro y brindarle información importante para operar la MÁQUINA SPARK de manera segura y eficaz.

La siguiente es una declaración de seguridad:

Advertencia: esta advertencia lo alerta sobre operaciones peligrosas o potencialmente peligrosas y proporciona una descripción del peligro y no tiene en cuenta las consecuencias.



**Protección para los ojos**

Este letrero sirve para alertar al usuario sobre el peligro y brindarle información importante para operar la MÁQUINA SPARK de manera segura y eficaz.

La siguiente es una declaración de seguridad:

Advertencia: esta advertencia lo alerta sobre operaciones peligrosas o potencialmente peligrosas y proporciona una descripción del peligro y no tiene en cuenta las consecuencias.



## **Voltajes de lesión**

Advertencia: si el dispositivo y el controlador tienen un voltaje peligroso durante su funcionamiento, existe riesgo de descarga eléctrica.

No abra ni quite (ajuste) ninguna pieza del dispositivo ni del controlador, esto solo puede hacerlo un personal especializado.



## **Advertencia de resistencia a la humedad**

Advertencia: El operador debe mantener la MÁQUINA SPARK y el controlador en un ambiente seco, no lo utilice bajo la lluvia o la nieve.

## **RECICLAJE**

### **Embalaje:**



1. El embalaje puede ser reciclado utilizando métodos de eliminación estándar y reintroducido en el ciclo de materiales reutilizables.
2. Por favor, sigue las leyes y regulaciones relativas a la eliminación y el reciclaje del empaque en tu país.

### **Dispositivo:**



1. Este dispositivo está sujeto a la Directiva de Residuos de Equipos Eléctricos y Electrónicos (WEEE) de la Unión Europea. Los aparatos electrónicos usados no deben ser eliminados con los residuos domésticos. Los dispositivos usados deben ser eliminados a través de una empresa de eliminación aprobada o una instalación de eliminación municipal. Por favor, cumple con las regulaciones aplicables en tu país.
2. Por favor, sigue todas las leyes y regulaciones de eliminación en tu país.
3. Como cliente, puedes obtener información sobre opciones de eliminación respetuosas con el medio ambiente del vendedor del producto o las autoridades regionales apropiadas.

## DMX

CH1	Function	Digital Tube Display
0-10	Pre-heat turn off	OFF
11-220	Emergency stop	E57
221-239	Pre-heat turn on	CLE
240-255	Pre-heat ON	Temperature DMX address

CH2	Function	Digital Tube Display
0-15	Turn off	OFF
16-63	Spark Height 1	F1
64-111	Spark Height 2	F2
112-159	Spark Height 3	F3
160-207	Spark Height 4	F4
208-255	Spray Height 5	F5

THIS DOCUMENT MAY BE SUBJECT TO MISPRINTS, ERRORS OR TECHNICAL MODIFICATIONS.  
 ESTE DOCUMENTO PUEDE ESTAR SUJETO A FALLOS DE IMPRESIÓN, ERRORES O MODIFICACIONES TÉCNICAS  
 Digital Audimagen BQ S.L. C/Río Almanzora, 1C, Getafe, 28906, Madrid, Spain  
 Made in PRC  
 www.audibax.com  
 VERSION 1 OCT 2024