

IRWIN 60 / IRWIN 120

6x10W RGBW 4in1 / 12x10W RGBW 4in1
6x10W RGBW 4en1 / 12x10W RGBW 4en1

INDEX / ÍNDICE**ENGLISH**

WELCOME TO AUDIBAX.....	1
SAFETY INSTRUCTIONS.....	1
IMPORTANT INFORMATION.....	2
PACKAGE CONTENT.....	3
TECHNICAL SPECIFICATION.....	3
INSTALLATION.....	4
HOW TO USE THE UNIT.....	4
HOW TO CONTROL THE FIXTURE.....	5
DMX512 CONNECTIONS.....	6
TROUBLESHOOTING.....	6
FIXTURE CLEANING.....	7
DISPOSAL.....	7

ESPAÑOL

BIENVENIDOS A AUDIBAX.....	8
INSTRUCCIONES DE SEGURIDAD.....	8
INFORMACIÓN IMPORTANTE.....	9
CONTENIDO DEL PAQUETE.....	10
ESPECIFICACIONES TÉCNICAS.....	10
INSTALACIÓN.....	11
CÓMO CONFIGURAR LA UNIDAD.....	11
CÓMO CONTROLAR LA LÁMPARA.....	12
CONEXIONES DMX512.....	13
SOLUCIÓN DE PROBLEMAS.....	13
LIMPIEZA DE ACCESORIOS.....	14
RECICLAJE.....	14

DMX

DMX.....	15
----------	----

WELCOME TO AUDIBAX

Thank you very much for choosing Audibax. We hope you enjoy your new product.

It has been developed and designed paying attention to the smallest details, with quality control with European standards supervised by our great team of professional technicians, who work every day to offer our customers the best quality.

We make sure that every Audibax product is built to last long. All our references are made with long lasting materials and our specialists are dedicated to constantly doing quality controls to guarantee the best result.

Please read carefully this manual in order to use your Audibax product in the best way. Do not hesitate to visit our website for further information: www.audibax.com

SAFETY INSTRUCTIONS

GENERAL INFORMATION

- It is important to read and follow the instructions carefully.
- Keep all information and instructions in a secure location.
- Always follow the instructions provided.
- Take note of all safety warnings and never remove them from the equipment.
- Use the equipment only as intended and for its intended purpose.
- Ensure that the stands and/or mounts used are sufficiently stable and compatible for fixed installations. Wall mounts should be properly installed and secured, and the equipment should be installed securely to prevent falls.
- When installing the equipment, be sure to observe the relevant safety regulations in your country.
- Do not install or operate the equipment near sources of heat, such as radiators, heat registers, or ovens, and ensure that it is always cooled sufficiently and cannot overheat.
- Do not place sources of ignition, such as burning candles, on the equipment.
- Keep ventilation slits unobstructed.
- For equipment designed for indoor use only should not be used near water, flammable materials, fluids, or gases. Special outdoor equipment should be used in accordance with the manufacturer's instructions.
- Ensure that no dripping or splashed water can enter the equipment and do not place containers filled with liquids on the equipment.
- Prevent objects from falling into the equipment.
- Use the equipment only with recommended accessories intended by the manufacturer.
- Do not attempt to open or modify the equipment.
- Check all cables after connecting the equipment to prevent accidents or damage due to tripping hazards.
- During transport, take steps to prevent the equipment from falling and causing damage or injury.
- If the equipment is not functioning properly, fluids or objects have gotten inside, or is otherwise damaged, switch it off immediately and unplug it from the power outlet (if applicable). Only authorized, qualified personnel should repair the equipment.
- Clean the equipment with a dry cloth.
- Comply with all applicable disposal laws and separate plastic and paper/cardboard during packaging disposal.
- Keep plastic bags out of the reach of children.

FOR DEVICES DESIGNED TO BE CONNECTED TO THE MAIN POWER SUPPLY:

- ATTENTION: If your equipment has a power cord with a grounding plug, it must be connected to a wall outlet with a ground connection. Never remove the grounding plug from the power cord.
 - If your equipment has been exposed to extreme temperature changes, allow it to reach room temperature before turning it on. Otherwise, moisture and condensation may damage the equipment.
 - Before plugging in the equipment, make sure that the voltage and frequency of the power outlet match the specifications of the equipment. If the equipment has a voltage selector, only connect it to the power outlet if the values match. If the power cord or adapter does not fit your outlet, contact an electrician.
 - Do not step on the power cord. Make sure it is not pinched at the outlet, adapter, or equipment connection.
 - Keep the power cord or adapter within reach and disconnect the equipment from the power supply when not in use or when cleaning it. Always unplug the cord or adapter by pulling the plug or adapter, not the cord. Never touch the cord or adapter with wet hands.
 - Avoid frequently turning the equipment on and off, as this can reduce its useful life.
 - IMPORTANT: Only replace fuses with those of the same type and rating. If a fuse repeatedly blows, contact an authorized service center.
 - To completely disconnect the equipment from the power mains, unplug the power cord or adapter from the outlet.
 - If your device has a Volex power connector, the mating Volex connector must be unlocked before it can be removed. Be careful when laying cables, as the equipment can slide or fall if the power cord is pulled.
 - Unplug the power cord or adapter before an extended period of disuse or in case of lightning strike risk.
 - Only install the equipment when it is disconnected from the power source.
 - To prevent damage and overheating, qualified personnel should regularly clean and service the equipment depending on ambient conditions like dust, nicotine, and fog.
- If the product contains the following symbols, please, read carefully:



CAUTION: To reduce the risk of electric shock, do not remove cover (or back). There are no user serviceable parts inside. Maintenance and repairs should be exclusively carried out by qualified service personnel.



The warning triangle with lightning symbol indicates dangerous uninsulated voltage inside the unit, which may cause an electrical shock.



The warning triangle with exclamation mark indicates important operating and maintenance instructions.

IMPORTANT INFORMATION**WARNING! IMPORTANT INFORMATION REGARDING LIGHTING PRODUCTS**

1. This product is specifically designed for use in event technology and is not intended to be used as household lighting.
2. It is important to avoid looking directly at the light beam, even for a short period of time.
3. Optical instruments, such as magnifiers, should not be used to look directly at the beam.
4. If you are sensitive to strobe effects, it is possible that they could cause an epileptic seizure. If you have epilepsy, it is important to avoid places where strobe lights are being used.

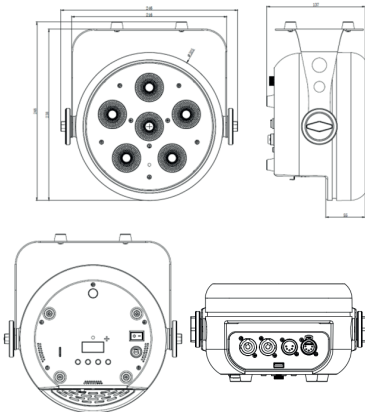
PACKAGE CONTENT

- 1 x Irwin 60 / Irwin 120
- 1 x Power cable
- 1 x IR remote
- 1 x User's manual

TECHNICAL SPECIFICATIONS

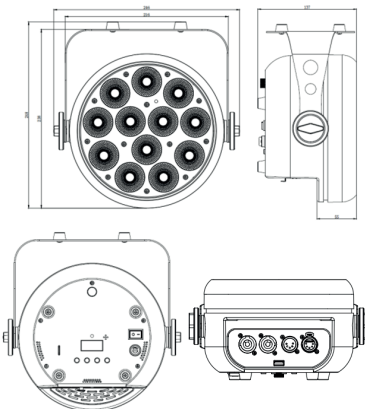
IRWIN 60

- DMX mode: 4/8 channels
- Display: 4 buttons LED display
- Operation mode: Auto, Sound Active, DMX512, Master/Slave, IR Remote
- USB Port: 5V,200mA
- Power Supply: AC100V-240V/50-60Hz
- Power Consumption: 45W
- Light source: 6pcs 10W RGBW 4 in One Ultra Bright LEDs
- Beam Angle: 25°
- Power in/out: Seetronic Powercon In/Out
- Data in/out: Seetronic 5-pin XLR socket
- IP rating: IP20
- Dimensions: L 268 x W 246 x H 137 mm
- Packing Size: L 315 x W 260 x H 200 mm
- Net Weight: 1.84 kg



IRWIN 120

- DMX mode: 4/8 channels
- Display: 4 buttons LED display
- Operation mode: Auto, Sound Active, DMX512, Master/Slave, IR Remote
- USB Port: 5V,200mA
- Power Supply: AC100V-240V/50-60Hz
- Power Consumption: 80W
- Light source: 12pcs 10W RGBW 4 in One Ultra Bright LEDs
- Beam Angle: 25°
- Power in/out: Seetronic Powercon In/Out
- Data in/out: Seetronic 5-pin XLR socket
- IP rating: IP20
- Dimensions: L 268 x W 246 x H 137 mm
- Packing Size: L 315 x W 260 x H 200 mm
- Net Weight: 1,9 kg



INSTALLATION

The unit should be mounted via its screw holes on the bracket. Always ensure that the unit is firmly fixed to avoid vibration and slipping while operating. Always ensure that the structure to which you are attaching the unit is secure and is able to support a weight of 10 times of the unit's weight. Also always use a safety cable that can hold 12 times of the weight of the unit when installing the fixture.

The equipment must be fixed by professionals. And it must be fixed at a place where is out of the touch of people and has no one pass by or under it.

HOW TO USE THE UNIT

Control Panel

Display(Normal)



Menu: To select the program functions
Up: To go forward in the selected functions
Down: To go backward in the selected functions
Enter: Enter submenu



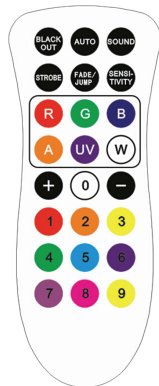
Menu Up Down Enter

Main Function Chart

MENU	Addr	A001	AS12	DMX address	
	CHnd	4CH	8CH	Channel	
	SLAV			Slave mode	
	SOUh	Sd01	Sd08	Sound sensitivity	
	JUNP	JU01	JU15	Jump change	
		JF-0	JF-4	Strobe speed	
	FAdE	Fd01	Fd15	Gradual change	
	AUtO			Auto mode	
	COLO	C000	C255	Static color	
		CF-0	CF-4	Strobe speed	
	NAnU	r000	r255	Red dimmer	This is displayed in IR dimming mode and front panel
		G000	G255	Green dimmer	
		b000	b255	Blue dimmer	
		U000	U255	White dimmer	
	Disp	NO		Display normal	
YES			Inversion		
CIOO	CL14		15 kinds of colour		
sT01	St04		Strobe speed	This is displayed only in IR remote control	
OFF			Turn off		

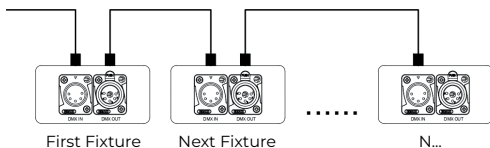
HOW TO CONTROL THE FIXTURE

- (1) Black Out: Turn on /off
- (2) Auto: Auto show
- (3) Sound: Sound activated
- (4) Strobe: Strobe mode
- (5) Fade/Jump: Gradual change/Jump change mode switch
- (6) Sensitivity: Sound sensitivity adjustment
- (7) R: Red dimmer in the dimming mode
- (8) G: Green dimmer in the dimming mode
- (9) B: Blue dimmer in the dimming mode
- (10) R/G/B/A/UV/W /1~9: Monochromatic mode (CL00-CL14)
- (11) W: White dimmer in the dimming mode
- (12) +: Increase parameter (include strobe speed adjust, sound sensitivity adjustment, color select, adjust the brightness of R, G, B, W Gradual change speed adjust, jump change speed adjust).
- (13) -: Reduce parameter(include strobe speed adjustment ,sound sensitivity adjustment, color select, adjustment the brightness of R,G,B,W Gradual change speed adjustment, jump change speed adjustment).
- (14) 0: Function switch (Dimming mode and monochromatic mode)



DMX512 CONNECTIONS

The DMX512 is widely used in intelligent lighting control, with a maximum of 512 channels.

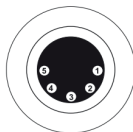


XLR mounting-plug:

XLR mounting-socket:



- 1: Ground
- 2: Signal (-)
- 3: Signal (+)
- 4: NC
- 5: NC



- 1: Ground
- 2: Signal (-)
- 3: Signal (+)
- 4: NC
- 5: NC

A DMX512 data link is required in order to control the device via DMX. The device provides 5-pin XLR connectors for DMX connection.

1. Connect the output of your DMX controller to the DMX input DMX IN of the device with a DMX cable.
2. Connect the DMX output DMX OUT of the light set to the DMX input of the next unit in the chain. Always connect one output to the input of the next unit until all units are connected. Not suitable as signal splitter!
3. At the last unit, the DMX cable has to be terminated. Plug the terminator with a 120 Ω resistor between Signal (-) and Signal (+) in the DMX output of the last unit.

TROUBLESHOOTING

Following are a few common problems that may occur during operation. Here are some suggestions for easy troubleshooting:

A. The fixture does not work, no light

1. Check the connection of power and main fuse.
2. Measure the mains voltage on the main connector.

B. Not responding to DMX controller

1. DMX LED should be on. If not, check DMX connectors, cables to see if link properly.
2. If the DMX LED is on and no response to the channel, check the address settings and DMX polarity.
3. If you have intermittent DMX signal problems, check the pins on connectors or on PCB of the fixture or the previous one.
4. Try to use another DMX controller.
5. Check if the DMX cables run near or run alongside to high voltage cables that may cause damage or interference to DMX interface circuit.

C. Some fixtures don't respond to the easy controller

1. You may have a break in the DMX cabling. Check the LED for the response of the master/ slave mode signal.
2. Wrong DMX address in the fixture. Set the proper address.

D. No response to the sound

1. Make sure the fixture does not receive DMX signal.
2. Check microphone to see if it is good by tapping the microphone.

FIXTURE CLEANING

The cleaning of internal must be carried out periodically to optimize light output. Cleaning frequency depends on the environment in which the fixture operates: damp, smoky or particularly dirty surrounding can cause greater accumulation of dirt on the fixture's optics.

- Clean with soft cloth using normal glass cleaning fluid.
- Always dry the parts carefully.
- Clean the external optics at least every 20 days. Clean the internal optics at least every 30/60 days.

DISPOSAL

Packaging:



1. The packaging can be recycled using standard disposal methods and reintroduced into the reusable material cycle.
2. Please follow the laws and regulations regarding disposal and recycling of packaging in your country.

Device:



1. This device is subject to the Waste Electrical and Electronic Equipment (WEEE) Directive of the European Union. Used appliances should not be disposed of with household waste. Used device must be disposed of through an approved disposal company or a municipal disposal facility. Please comply with the applicable regulations in your country.
2. Please follow all the disposal laws and regulations in your country.
3. As a customer, you can obtain information on environmentally-friendly disposal options from the product seller or the appropriate regional authorities.

BIENVENIDO A AUDIBAX

Muchas gracias por elegir Audibax. Esperamos que disfrute de su nuevo producto. Ha sido desarrollado y diseñado cuidando hasta el más mínimo detalle, con un control de calidad con estándares europeos supervisado por nuestro gran equipo de técnicos profesionales, que trabajan día a día para ofrecer a nuestros clientes la mejor calidad.

Nos aseguramos de que cada producto Audibax esté diseñado para durar mucho tiempo. Todas nuestras referencias están fabricadas con materiales de larga duración y nuestros especialistas se dedican a realizar constantemente controles de calidad para garantizar el mejor resultado.

Lea atentamente este manual para utilizar su producto Audibax de la mejor manera. No dude en visitar nuestra web para más información: www.audibax.com

INSTRUCCIONES DE SEGURIDAD

INFORMACIÓN GENERAL

- Es importante leer y seguir las instrucciones cuidadosamente.
- Guarde toda la información y las instrucciones en un lugar seguro.
- Siga siempre las instrucciones proporcionadas.
- Tome nota de todas las advertencias de seguridad y nunca las quite del equipo.
- Utilice el equipo únicamente según lo previsto y para el fin previsto.
- Asegúrese de que los soportes y/o soportes utilizados sean lo suficientemente estables y compatibles para instalaciones fijas. Los soportes de pared deben asegurarse correctamente, y el equipo debe instalarse de forma segura para evitar caídas.
- Al instalar el equipo, asegúrese de observar las normas de seguridad pertinentes de su país.
- No instale ni utilice el equipo cerca de fuentes de calor, como radiadores, rejillas de calor u hornos, y asegúrese de que siempre se enfríe lo suficiente y no se sobrecaliente.
- No coloque fuentes de ignición, como velas encendidas, sobre el equipo.
- Mantenga las ranuras de ventilación despejadas.
- Equipos diseñados solo para uso en interiores y no debe usarse cerca de agua, materiales inflamables, líquidos o gases. Se debe usar para exteriores de acuerdo con las instrucciones del fabricante.
- Asegúrese de que no entren gotas o salpicaduras de agua en el equipo y no coloque recipientes llenos de líquidos sobre el equipo.
- Evite que caigan objetos dentro del equipo.
- Utilice el equipo únicamente con los accesorios recomendados por el fabricante.
- No intente abrir o modificar el equipo.
- Verifique todos los cables después de conectar el equipo para evitar accidentes o daños debido a riesgos de tropiezos.
- Durante el transporte, tome medidas para evitar que el equipo se caiga y cause daños o lesiones.
- Si el equipo no funciona correctamente, se han metido líquidos u objetos en su interior o está dañado, apáguelo inmediatamente y desenchúfelo de la toma de corriente (si corresponde). Solo personal autorizado y cualificado debe reparar el equipo.
- Limpie el equipo con un paño seco.
- Cumpla con todas las leyes de eliminación aplicables y separe el plástico y el papel/cartón durante la eliminación del embalaje.
- Mantenga las bolsas de plástico fuera del alcance de los niños

PARA DISPOSITIVOS DISEÑADOS PARA SER CONECTADOS A LA FUENTE DE ALIMENTACIÓN PRINCIPAL:

- ATENCIÓN: Si su equipo tiene un cable de alimentación con un enchufe con conexión a tierra, debe conectarse a un tomacorriente de pared con conexión a tierra. Nunca retire el enchufe de conexión a tierra del cable de alimentación.
 - Si su equipo ha estado expuesto a cambios extremos de temperatura, permita que alcance la temperatura ambiente antes de encenderlo. De lo contrario, la humedad y la condensación pueden dañar el equipo.
 - Antes de enchufar el equipo, asegúrese de que el voltaje y la frecuencia del tomacorriente coincidan con las especificaciones del equipo. Si el equipo dispone de selector de tensión, sólo conéctelo a la toma de corriente si los valores coinciden. Si el cable de alimentación o el adaptador no se ajustan a su toma de corriente, comuníquese con un electricista.
 - No pise el cable de alimentación. Asegúrese de que no esté pellizcado en la toma de corriente, el adaptador o la conexión del equipo.
 - Mantenga el cable de alimentación o el adaptador al alcance de la mano y desconecte el equipo de la fuente de alimentación cuando no esté en uso o cuando lo esté limpiando. Desenchufe siempre el cable o el adaptador tirando del enchufe o del adaptador, no del cable. Nunca toque el cable o el adaptador con las manos mojadas.
 - Evite encender y apagar el equipo con frecuencia, ya que esto puede reducir su vida útil.
 - IMPORTANTE: Solo reemplace los fusibles con aquellos del mismo tipo y clasificación. Si un fusible se quema repetidamente, comuníquese con un centro de servicio autorizado.
 - Para desconectar completamente el equipo de la red eléctrica, desenchufe el cable de alimentación o el adaptador de la toma de corriente.
 - Si su dispositivo tiene un conector de alimentación Volex, el conector Volex correspondiente debe desbloquearse antes de poder retirarlo. Tenga cuidado al tender los cables, ya que el equipo puede deslizarse o caerse si se tira del cable de alimentación.
 - Desenchufe el cable de alimentación o el adaptador antes de un período prolongado de desuso o en caso de riesgo de caída de rayos.
 - Instale el equipo únicamente cuando esté desconectado de la fuente de alimentación.
 - Para evitar daños y sobrecalentamiento, el personal calificado debe limpiar y reparar el equipo con regularidad según las condiciones ambientales, como polvo, nicotina y niebla.
- Si el producto contiene los siguientes símbolos, lea atentamente:



PRECAUCIÓN: Para reducir el riesgo de descarga eléctrica, no retire la tapa (o la parte trasera). No hay partes reparables por el usuario adentro. El mantenimiento y las reparaciones deben ser realizados exclusivamente por personal de servicio cualificado.



El triángulo de advertencia con el símbolo de un rayo indica un voltaje no aislado peligroso dentro de la unidad, que puede causar una descarga eléctrica.



El triángulo de advertencia con signo de exclamación indica instrucciones importantes de operación y mantenimiento.

INFORMACIÓN IMPORTANTE

¡ADVERTENCIA! INFORMACIÓN IMPORTANTE SOBRE PRODUCTOS DE ILUMINACIÓN

1. Este producto está diseñado específicamente para su uso en tecnología de eventos y no está diseñado para usarse como iluminación doméstica.
2. Es importante evitar mirar directamente al haz de luz, incluso durante un breve período de tiempo.
3. No se deben utilizar instrumentos ópticos, como lupas, para mirar directamente al haz.
4. Si es sensible a los efectos estroboscópicos, es posible que le provoquen un ataque epiléptico. Si tiene epilepsia, es importante evitar los lugares donde se usan luces estroboscópicas.

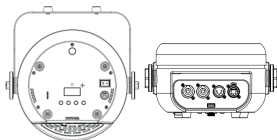
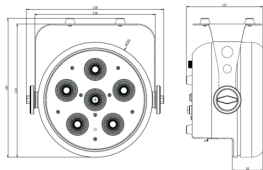
CONTENIDO DEL PAQUETE

- 1 x Irwin 60 / Irwin 120
- 1 x Cable de alimentación
- 1 x Control remoto IR
- 1 x Manual de usuario

ESPECÍFICACIONES TÉCNICAS

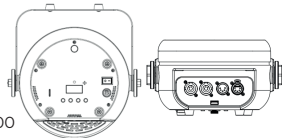
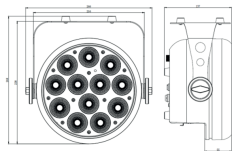
IRWIN 60

- Modo DMX: 4/8 canales
- Pantalla: Pantalla LED de 4 botones
- Modo de operación: Auto, Activo por sonido, DMX512, Maestro/Esclavo, Control Remoto IR
- Puerto USB: 5V, 200mA
- Fuente de alimentación: CA 100V-240V / 50-60Hz
- Consumo de energía: 45W
- Fuente de luz: 6 LEDs RGBW 4 en 1 ultrabrillantes de 10W
- Ángulo de haz: 25°
- Entrada/salida de energía: Seetronic Powercon entrada/salida
- Entrada/salida de datos: Conector XLR Seetronic de 5 pines
- Clasificación IP: IP20
- Dimensiones: Largo 268 x Ancho 246 x Alto 137 mm
- Tamaño del embalaje: Largo 315 x Ancho 260 x Alto 200 mm
- Peso neto: 1,84 kg



IRWIN 120

- Modo DMX: 4/8 canales
- Pantalla: pantalla LED de 4 botones
- Modo de funcionamiento: Automático, Activo por sonido, DMX512, Maestro/Esclavo, Control remoto por infrarrojos
- Puerto USB: 5V, 200mA
- Fuente de alimentación: AC100V-240V/50-60Hz
- Consumo de energía: 80W
- Fuente de luz: 12 LED ultrabrillantes RGBW 4 en uno de 10 W
- Ángulo de haz: 25°
- Entrada/salida de energía: Entrada/Salida Seetronic Powercon
- Entrada/salida de datos: conector XLR Seetronic de 5 pines
- Clasificación IP: IP20
- Dimensiones: L 268 x An 246 x Al 137 mm
- Tamaño del embalaje: Largo 315 x Ancho 260 x Alto 200 mm
- Peso neto: 1,9 kg



INSTALACIÓN

La unidad debe montarse a través de los orificios para tornillos en el soporte. Siempre asegúrese de que la unidad esté firmemente fijada para evitar vibraciones y deslizamientos durante el funcionamiento. Asegúrese siempre de que la estructura a la que va a fijar la unidad sea segura y pueda soportar un peso de 10 veces el peso de la unidad. Siempre use un cable de seguridad que pueda soportar 12 veces el peso de la unidad al instalarla.

El equipo debe ser fijado por personal calificado. Debe fijarse en un lugar fuera del alcance de las personas y que no tenga tránsito por debajo o cerca de él.

CÓMO CONFIGURAR LA UNIDAD

Panel de Control

Display(Normal)



Menu Up Down Enter

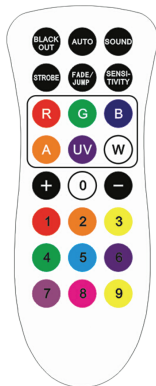
Menu: Para seleccionar las funciones del programa
Up: Para avanzar en las funciones seleccionadas
Down: Para retroceder en las funciones seleccionadas
Enter: Entrar al submenú

Cuadro de funciones principales

MENÚ	Addr	A001	AS12	Dirección DMX	
	CHnd	4CH	8CH	Canal	
	SLAV			Modo esclavo	
	SOUh	Sd01	Sd08	Sensibilidad al sonido	
	JUNP	JU01	JU15	Cambio de salto	
		JF-0	JF-4	Velocidad del estrobo	
	FAdE	Fd01	Fd15	Cambio gradual	
	AUtO			Modo automático	
	COLO	C000	C255	Color estático	
		CF-0	CF-4	Velocidad del estrobo	
		NAnU	r000	r255	Dimmer Rojo
	G000		G255	Dimmer Verde	
	b000		b255	Dimmer Azul	
	U000		U255	Dimmer Blanco	
	Disp	NO		Pantalla normal	
		YES		Inversión	
ClOO	CL14		15 tipos de color	Esto se muestra solo en el control remoto IR	
st01	St04		Velocidad del estrobo		
OFF			Apagar		

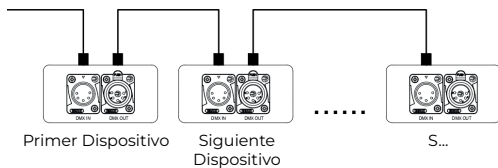
CÓMO CONTROLAR LA LÁMPARA

- (1) Black Out: ON/OFF Proyector.
 (2) Auto (Automático): Activa el modo automático del espectáculo de luces.
 (3) Sound (Sonido): Activa el modo de control por sonido.
 (4) Strobe (Strobo): Activa el modo estroboscópico.
 (5) Fade/Jump (Desvanecido/Salto): Cambia entre el modo de cambio gradual y el modo de cambio brusco.
 (6) Sensitivity (Sensibilidad): Ajusta la sensibilidad del sonido.
 (7) R (Rojo): Regula el dimmer del rojo en el modo de regulación.
 (8) G (Verde): Regula el dimmer del verde en el modo de regulación.
 (9) B (Azul): Regula el dimmer del azul en el modo de regulación.
 (10) R/G/B/A/UV/W / 1~9 (Monocromático): Seleccióna el color monocromático deseado (CL00-CL14).
 (11) W (Blanco): Regula el dimmer del blanco en el modo de regulación.
 (12) + (Aumentar): Aumenta el parámetro seleccionado (incluye velocidad del efecto estroboscópico, sensibilidad del sonido, selección de color, ajuste del brillo de R, G, B y W, velocidad del cambio gradual y velocidad del cambio brusco).
 (13) - (Reducir): Reduce el parámetro seleccionado (incluye velocidad del efecto estroboscópico, sensibilidad del sonido, selección de color, ajuste del brillo de R, G, B y W, velocidad del cambio gradual y velocidad del cambio brusco).
 (14) 0 (Función): Cambia entre el modo de regulación y el modo monocromático



CONEXIONES DMX512

El DMX512 es muy utilizado en el control de iluminación inteligente, con un máximo de 512 canales.

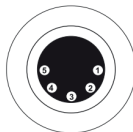


Conector de montaje XLR:

Conector de montaje XLR:



- 1: Tierra
- 2: Señal (-)
- 3: Señal (+)
- 4: NC
- 5: NC



- 1: Tierra
- 2: Señal (-)
- 3: Señal (+)
- 4: NC
- 5: NC

Para controlar el dispositivo a través de DMX, se necesita un enlace de datos DMX512. El dispositivo dispone de conectores XLR de 5 pines para la conexión DMX.

1. Conecte la salida de su controlador DMX a la entrada DMX DMX IN del dispositivo con un cable DMX.
2. Conecte la salida DMX OUT del conjunto de luces a la entrada DMX de la siguiente unidad de la cadena. Conecte siempre una salida a la entrada de la siguiente unidad hasta que todas las unidades estén conectadas. ¡No apto como divisor de señal!
3. En la última unidad, el cable DMX debe tener una terminación. Conecte la terminación con una resistencia de 120Ω entre la señal (-) y la señal (+) en la salida DMX de la última unidad.

SOLUCIÓN DE PROBLEMAS

A continuación se detallan algunos problemas comunes que pueden ocurrir durante la operación. A continuación se ofrecen algunas sugerencias para solucionar problemas fácilmente:

A. El proyector no funciona, no hay luz.

1. Verifique la conexión de alimentación y el fusible principal.
2. Mida la tensión de red en el conector principal.

B. No responde al controlador DMX

1. El LED DMX debe estar encendido. De lo contrario, verifique los conectores DMX y los cables para ver si se conectan correctamente.
2. Si el LED DMX está encendido y no hay respuesta al canal, verifique la configuración de dirección y la polaridad DMX.
3. Si tienes problemas de señal DMX intermitente, revisa los pines de los conectores o del PCB del aparato o del anterior.
4. Intente utilizar otro controlador DMX.
5. Verifique si los cables DMX pasan cerca o al lado de cables de alto voltaje que puedan causar daños o interferencias al circuito de interfaz DMX.

C. Algunos proyector no responden al controlador fácil

1. Es posible que tenga una rotura en el cableado DMX. Verifique el LED para ver la respuesta de la señal del modo maestro/esclavo.
2. Dirección DMX incorrecta en el proyector. Establezca la dirección adecuada.

D. No hay respuesta al sonido.

1. Asegúrese de que el proyector no reciba señal DMX.
2. Verifique el micrófono para ver si está bien tocando el micrófono.

LIMPIEZA DE ACCESORIOS

La limpieza del interior debe realizarse periódicamente para optimizar el rendimiento lumínico. La frecuencia de la limpieza depende del entorno en el que funciona el aparato: un entorno húmedo, con humo o especialmente sucio puede provocar una mayor acumulación de suciedad en las ópticas del aparato.

- Limpie con un paño suave usando un líquido limpiador de vidrios normal.
- Seque siempre las piezas con cuidado.
- Limpiar la óptica externa al menos cada 20 días. Limpiar la óptica interna al menos cada 30/60 días.

RECICLAJE

Embalaje:



1. El embalaje puede ser reciclado utilizando métodos de eliminación estándar y reintroducido en el ciclo de materiales reutilizables.
2. Por favor, sigue las leyes y regulaciones relativas a la eliminación y el reciclaje del embalaje en tu país.

Dispositivo:



1. Este dispositivo está sujeto a la Directiva de Residuos de Equipos Eléctricos y Electrónicos (WEEE) de la Unión Europea. Los aparatos electrónicos usados no deben ser eliminados con los residuos domésticos. Los dispositivos usados deben ser eliminados a través de una empresa de eliminación aprobada o una instalación de eliminación municipal. Por favor, cumple con las regulaciones aplicables en tu país.
2. Por favor, sigue todas las leyes y regulaciones de eliminación en tu país.
3. Como cliente, puedes obtener información sobre opciones de eliminación respetuosas con el medio ambiente del vendedor del producto o las autoridades regionales apropiadas.

DMX512

4-Channels Mode

Channel	Value	Function
CH1	0-255	RED dimmer
CH2	0-255	GREEN dimmer
CH3	0-255	BLUE dimmer
CH4	0-255	WHITE dimmer

8-Channels Mode

Channel	Value	Function
CH1	0-255	Master dimmer
CH2	0-255	RED dimmer
CH3	0-255	GREEN dimmer
CH4	0-255	BLUE dimmer
CH5	0-255	WHITE dimmer
CH6	0-255	Strobe mode
CH7	0-255	Static color, Jump speed, Gradual speed or sound sensitivity
CH8	0-59	Custom control by DMX512
	60-119	Static mode
	120-179	Jump change mode
	180-239	Gradual change mode
	240-255	Sound mode